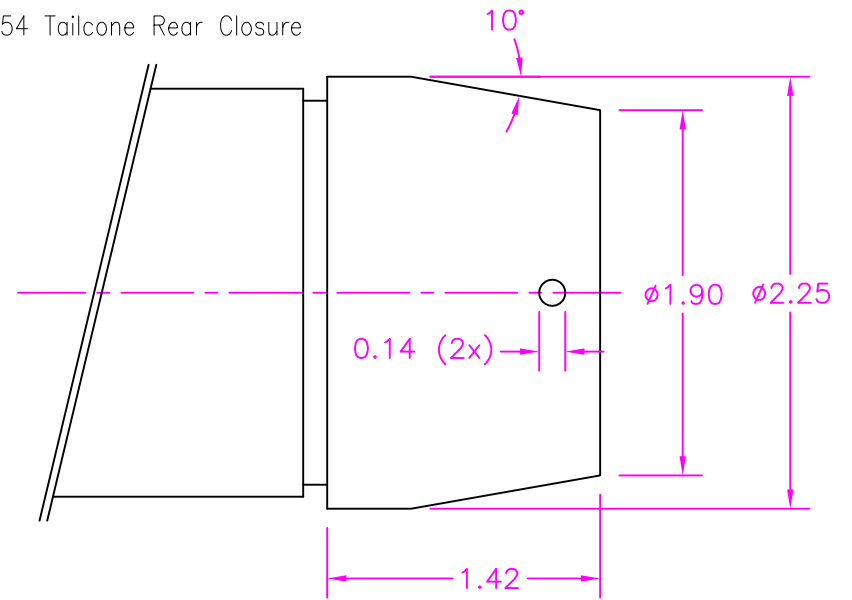
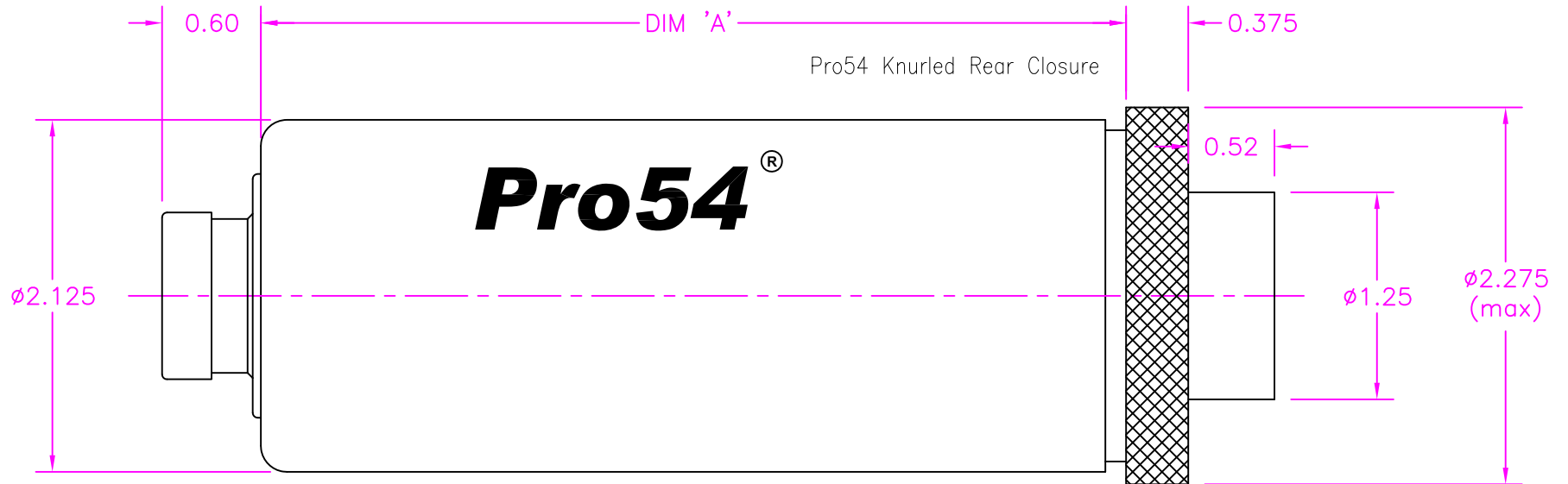


Type	DIM 'A'
1G	5.59
2G	8.90
3G	12.21
4G	15.52
5G	18.83
6G	22.14
6GXL	25.14

Pro54 Tailcone Rear Closure



Pro54 Knurled Rear Closure



REV	DESCRIPTION	DRAWN	CHKD	DATE

REVISIONS
All changes must be processed and reprinted. Destroy all previous copies.



**CESARONI
TECHNOLOGY
INCORPORATED**
2561 STOUFFVILLE ROAD GORMLEY ONTARIO CANADA

Unless Otherwise Specified
X/X ± 1/64
.XX ± 0.010
.XXX ± 0.002
.XXXX ± 0.0005
X' ± 0' - 30"
BREAK ALL SHARP
EDGES .01 X 45°
CHAMFER ALL TAPPED HOLES
90° TO THREADED DIAMETER

THIS DOCUMENT
CONTAINS
CONFIDENTIAL
PROPRIETARY
INFORMATION.
UNAUTHORIZED USE
OR REPRODUCTION
IS PROHIBITED.

SCALE: 1:1
DATE (DD/MM/YY): 12/03/09
DRAWN BY: A.L.T.
WEIGHT: -
MATERIAL: -

FILE NAME: Pro54_dimensions.dwg
DRAWING SIZE: A
CUSTOMER: -
SURFACE TREATMENT: -
TITLE: Pro54 Motor Hardware Dimensions
SHEET: 1 OF 1 PROJECT #: 0